

AFC 80

Self Contained Ice Machine up to 85 kg

Item #:
Project:
Quantity:



FEATURES

- Produces “Cubelet” ice (compressed ice flakes).
- Resistant stainless steel exterior.
- Reliable electronic controls.
- Front panel in & out airflow (air-cooled model only) for built-in installation.
- Routine Maintenance visible alarm light on front panel.
- Ergonomically designed ice-storage access, with disappearing door.
- Ice scoop holder located within ice-storage bin.



AFC 80
Cubelet 1 g
W 16 x D 15 x H 7-8 mm

CONDENSING SYSTEM

Air cooled
Water cooled

INTERNAL BIN CAPACITY

25 kg

REFRIGERANT GAS

R404A

OPERATING REQUIREMENTS

	Minimum	Maximum
Air temperature	10°C	43°C
Water temperature	5°C	38°C
Water pressure	1 bar (14 psi)	5 bar (70 psi)
Electrical voltage	-10%	+10%

VOLTAGE V/Hz/ph

230/50/1
230/60/1

Certifications:



IMPORTANT NOTICE:
Models and specifications are subject to change without notice. This spec sheet is meant for commercial purpose only. For technical documentation please refer to our service manuals.

Download our free App Scotsman Ice
Apple store
Google play
Windows store



www.scotsman-ice.it
www.scotsman-ice.com

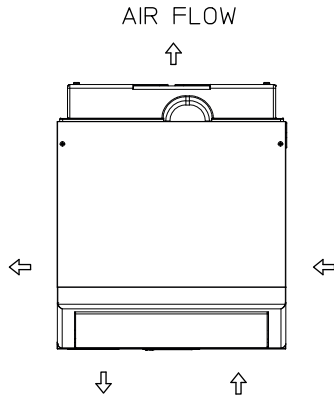
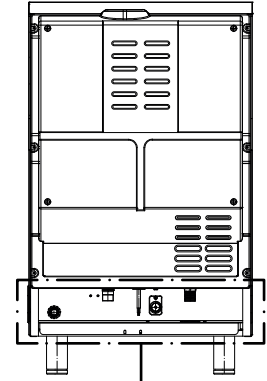
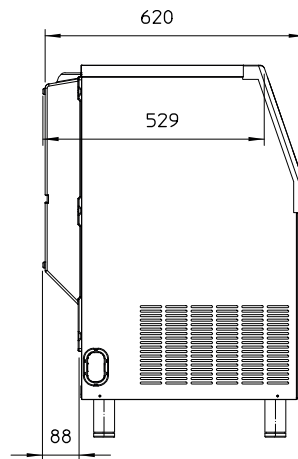
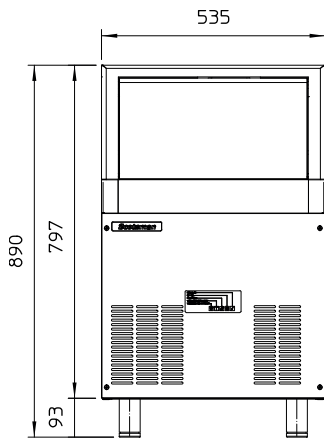
Self Contained Ice Machine up to 85 kg

AFC 80

Self Contained Ice Machine up to 85 kg

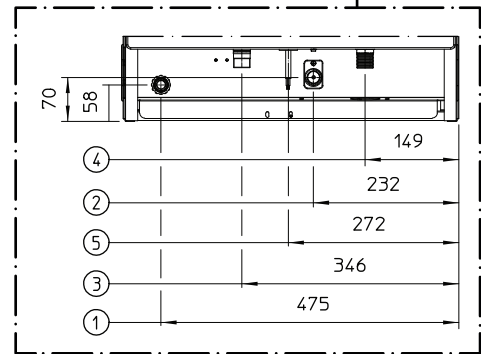
Item #:
Project:
Quantity:

Self Contained Ice Machine up to 85 kg



UNIT OF MEASUREMENT: mm

1. 13/16" WATER OUTLET
2. 3/4" GAS - WATER INLET
3. 3/4" GAS - WATER OUTLET
WATER COOLED UNIT ONLY
4. 3/4" GAS - WATER INLET
WATER COOLED UNIT ONLY
5. CORD SET



UNIT DATA			Compressor		Circuit wires		Max. fuse size		
			Version	Voltage	Btu/h	W	No.	Ømm ²	A
Size (W x D x H)	535 x 626 x 890 mm		AFC 80 AS	230/50/1	1604	470	3	1.5	10
Net weight	50 kg		AFC 80 WS	230/50/1	1604	470	3	1.5	10
			AFC 80 AS	230/60/1	2730	800	3	1.5	10
SHIPPING DATA									
Carton (W x D x H)	600 x 690 x 980 mm								
Weight	58 kg								
			24 h ice production kg °C Amb. / °C Water			Energy consumption*		Water usage*	Instant power
Version	Condensation	Voltage	10°C/10°C	21°C/10°C	32°C/21°C	kWh/100 kg	kWh/24h	l/h	W
AFC 80 AS	Air	230/50/1	85	79	65	14.8	10.0	2.7	440
AFC 80 WS	Water	230/50/1	85	79	65	12.6	8.0	59.2	350
AFC 80 AS	Air	230/60/1	77	71	60	14.7	9.0	2.5	390

(*) Data refer to 32°C Amb. / 21°C Water temperature conditions