

# AC 126

## Self Contained Ice Machine up to 86 kg

Item #:
Project:
Quantity:



### FEATURES

- Produces individual Gourmet crystal clear ice cubes.
- Resistant stainless steel exterior.
- Advanced diagnostics computerized controls.
- Front panel in and out airflow (air-cooled model only) for built-in installation.
- Front access condenser air filter, removable and washable (air cooled version only).
- Easily accessible front panel mount ON-OFF Switch.
- Routine maintenance visible alarm light on front panel. Water system protected by patented anti-scale system.
- Ergonomically designed ice storage access, with disappearing door. Door-closing movement dampening system.



AC L 126  
Large Gourmet 39 g  
Ø 38 x H 41 mm



AC M 126  
Medium Gourmet 20 g  
Ø 30 x H 34 mm



AC S 126  
Small Gourmet 8 g  
Ø 21 x H 25 mm

### CONDENSING SYSTEM

Air cooled  
Water cooled

### INTERNAL BIN CAPACITY

34 kg

### REFRIGERANT GAS

R404A

### OPERATING REQUIREMENTS

	Minimum	Maximum
Air temperature	10°C	43°C
Water temperature	5°C	38°C
Water pressure	1 bar (14 psi)	5 bar (70 psi)
Electrical voltage	-10%	+10%

### VOLTAGE V/Hz/ph

230/50/1  
230/60/1

Certifications:



**IMPORTANT NOTICE:**  
Models and specifications are subject to change without notice. This spec sheet is meant for commercial purpose only. For technical documentation please refer to our service manuals.

Download our free App Scotsman Ice  
Apple store  
Google play  
Windows store



[www.scotsman-ice.it](http://www.scotsman-ice.it)  
[www.scotsman-ice.com](http://www.scotsman-ice.com)

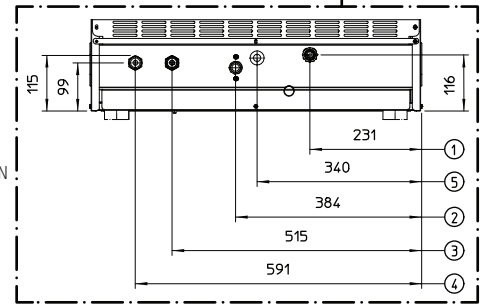
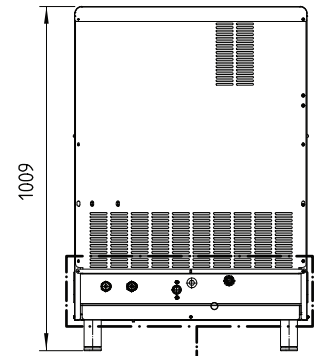
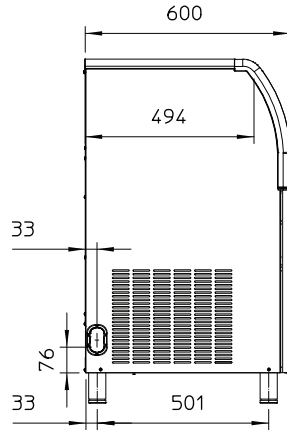
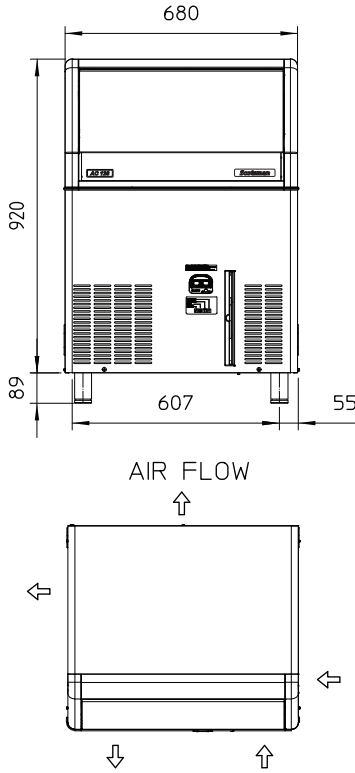
Self Contained Ice Machine up to 86 kg

# AC 126

Self Contained Ice Machine up to 86 kg

Item #:
Project:
Quantity:

Self Contained Ice Machine up to 86 kg



UNIT OF MEASUREMENT: mm

1. 25/32" OD - OVERFLOW DRAIN
2. 3/4" GAS - WATER INLET
3. 3/4" GAS - WATER OUTLET  
WATER COOLED UNIT ONLY
4. 3/4" GAS - WATER INLET  
WATER COOLED UNIT ONLY
5. CORD SET

UNIT DATA		Compressor		Circuit wires		Max. fuse size				
		Version	Voltage	Btu/h	W	No.	Ømm <sup>2</sup>	A		
Size (W x D x H)	680 x 600 x 1009 mm	AC L 126 AS	230/50/1	4913	1440	3	1.5	10		
Net weight	65 kg	AC L 126 WS	230/50/1	4913	1440	3	1.5	10		
SHIPPING DATA		AC M 126 AS	230/50/1	4948	1450	3	1.5	10		
		AC M 126 WS	230/50/1	4948	1450	3	1.5	10		
		AC S 126 AS	230/50/1	4948	1450	3	1.5	10		
		AC S 126 WS	230/50/1	4948	1450	3	1.5	10		
		Carton (W x D x H)	750 x 670 x 1100 mm	AC L 126 AS	230/60/1	6415	1880	3	1.5	10
		Weight	75 kg	AC M 126 AS	230/60/1	6415	1880	3	1.5	10
				AC M 126 WS	230/60/1	6415	1880	3	1.5	10

Version	Condensation	Voltage	24 h ice production kg °C Amb. / °C Water			Energy consumption*		Water usage*	Instant power
			10°C/10°C	21°C/10°C	32°C/21°C	kWh/100 kg	kWh/24h	l/h	W
AC L 126 AS	Air	230/50/1	63	61	49	28.6	14.0	5.8	770
AC L 126 WS	Water	230/50/1	70	66	58	24.1	13.0	68.8	600
AC M 126 AS	Air	230/50/1	70	66	55	24.6	13.8	5.7	740
AC M 126 WS	Water	230/50/1	74	71	60	20.5	12.3	70.8	580
AC S 126 AS	Air	230/50/1	55	53	41	24.6	13.8	5.7	650
AC S 126 WS	Water	230/50/1	64	61	53	20.5	12.3	70.8	600
AC L 126 AS	Air	230/60/1	63	61	49	24.7	14.8	6.3	740
AC M 126 AS	Air	230/60/1	80	77	60	24.7	14.8	6.3	750
AC M 126 WS	Water	230/60/1	86	82	72	18.9	13.5	70.8	610

(\*) Data refer to 32°C Amb. / 21°C Water temperature conditions